



REPAIR PARTS MANUAL
MODEL NO. RELTS1136C
Lawn Tractor

Rally

HOW TO USE THIS MANUAL

This manual is designed to provide the customer with a means to identify the parts on his/her tractor when ordering repair parts. The illustrations may or may not represent the actual assemblies; therefore, it is not recommended to use this manual as a guide to assemble or disassemble the tractor. Some hardware and parts are drawn larger in order to more readily identify them.

Each tractor has its own model number.

The model number for your tractor can be found on the fender under the seat.

When ordering parts, always give the following information:

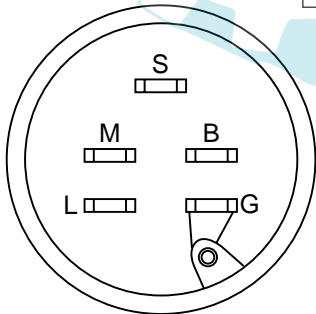
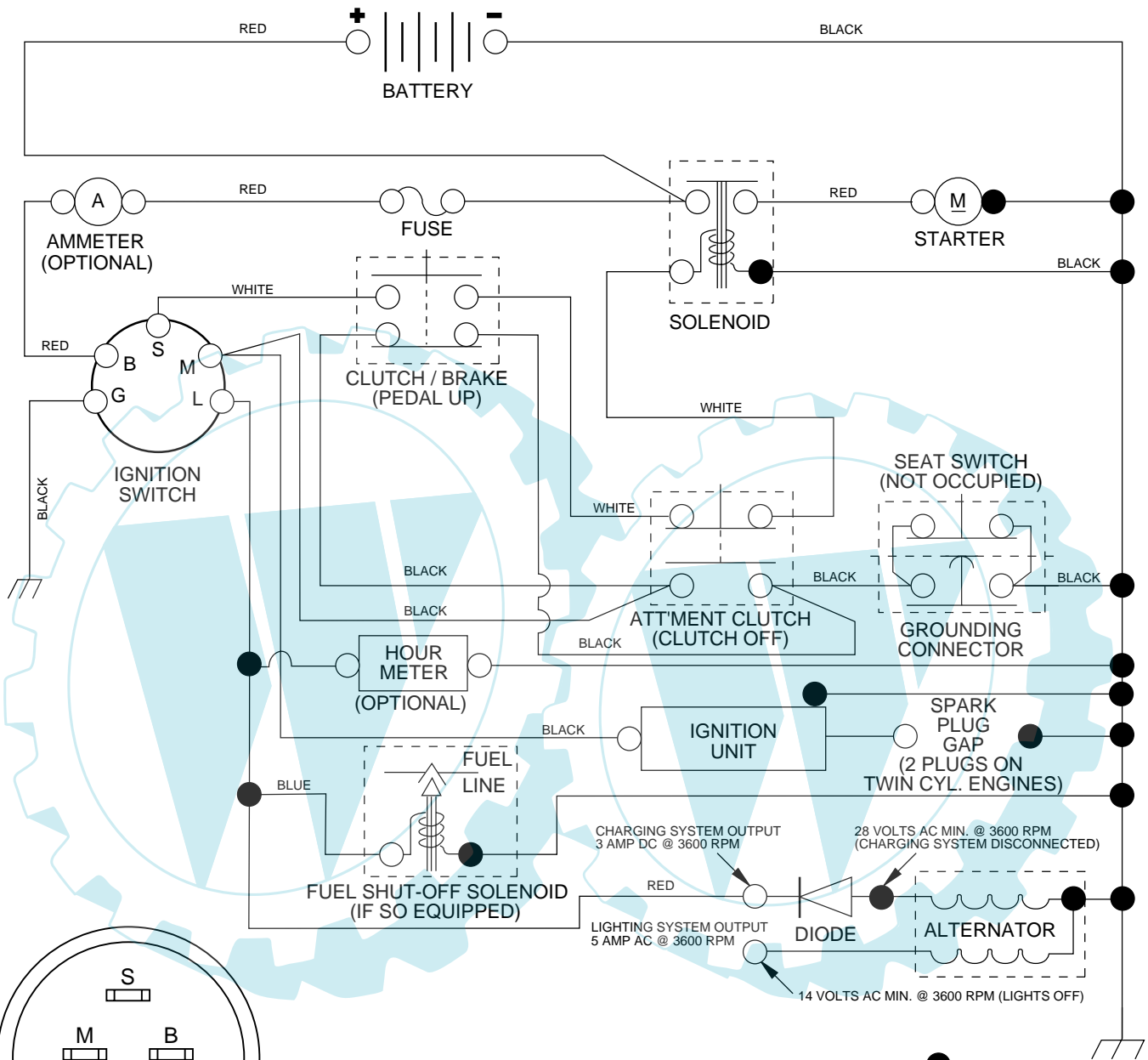
- Product - "Lawn Tractor"
- Model Number - "RELTS1136C"
- Part Number
- Part Description

TABLE OF CONTENTS

SCHEMATIC	3
ELECTRICAL	4-5
CHASSIS AND ENCLOSURES	6-7
DRIVE	8-9
SEAT	10
DECALS	11
STEERING WHEEL	12-13
ENGINE	14-15
MOWER DECK	16-17
MOWER LIFT	18

TRACTOR - - MODEL NO. RELTS1136C, PRODUCT NO. 954 56 74-44

SCHEMATIC



IGNITION SWITCH

POSITION	CIRCUIT
OFF	M + G
ON	B + L
START	B + S + L

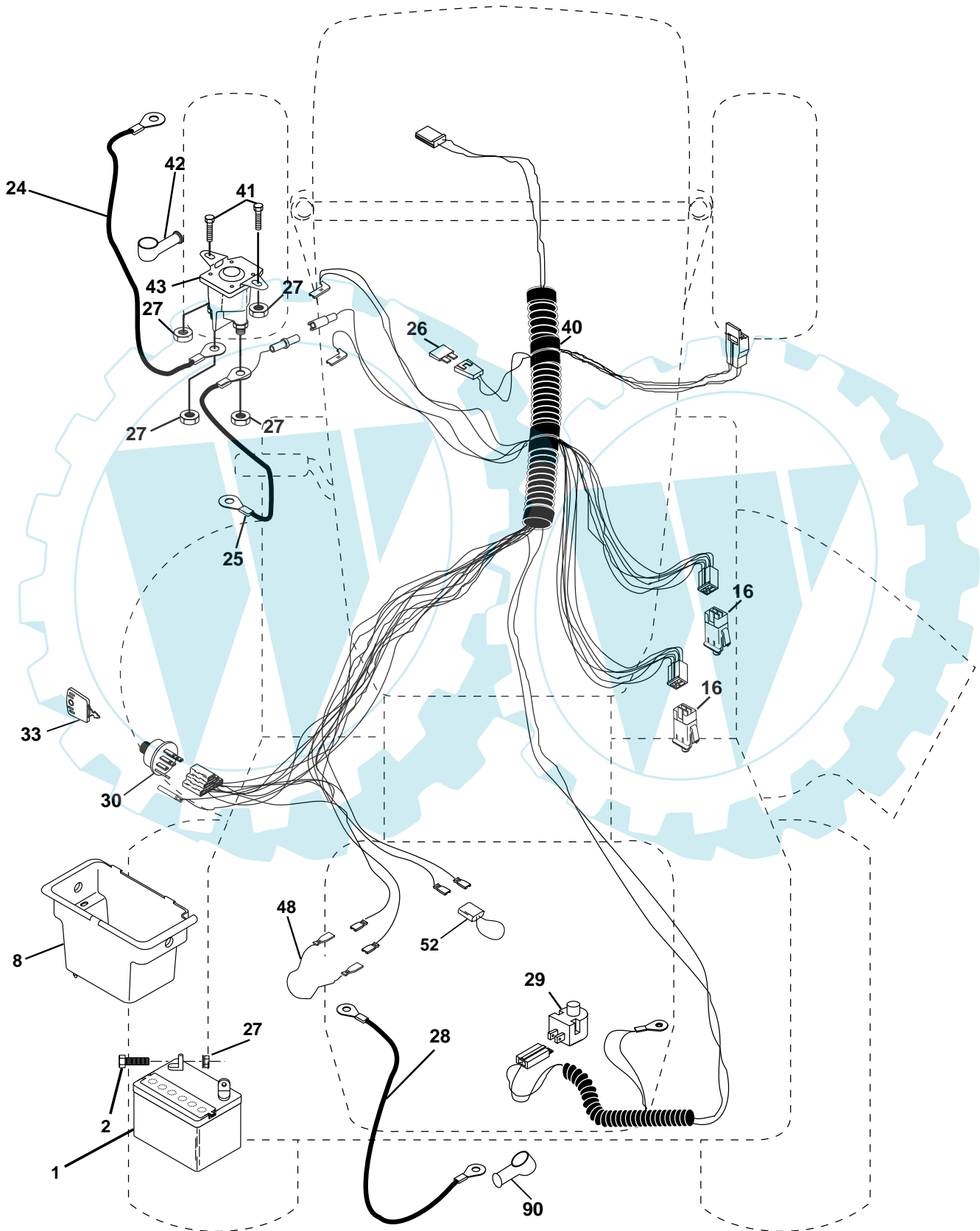
WIRING INSULATED CLIPS
NOTE: IF WIRING INSULATED CLIPS WERE REMOVED FOR SERVICING OF UNIT, THEY SHOULD BE REPLACED TO PROPERLY SECURE YOUR WIRING.

●
 NON-REMOVABLE CONNECTIONS

○
 REMOVABLE CONNECTIONS

REPAIR PARTS

TRACTOR - - MODEL NO. RELTS1136C, PRODUCT NO. 954 56 74-44
ELECTRICAL



REPAIR PARTS

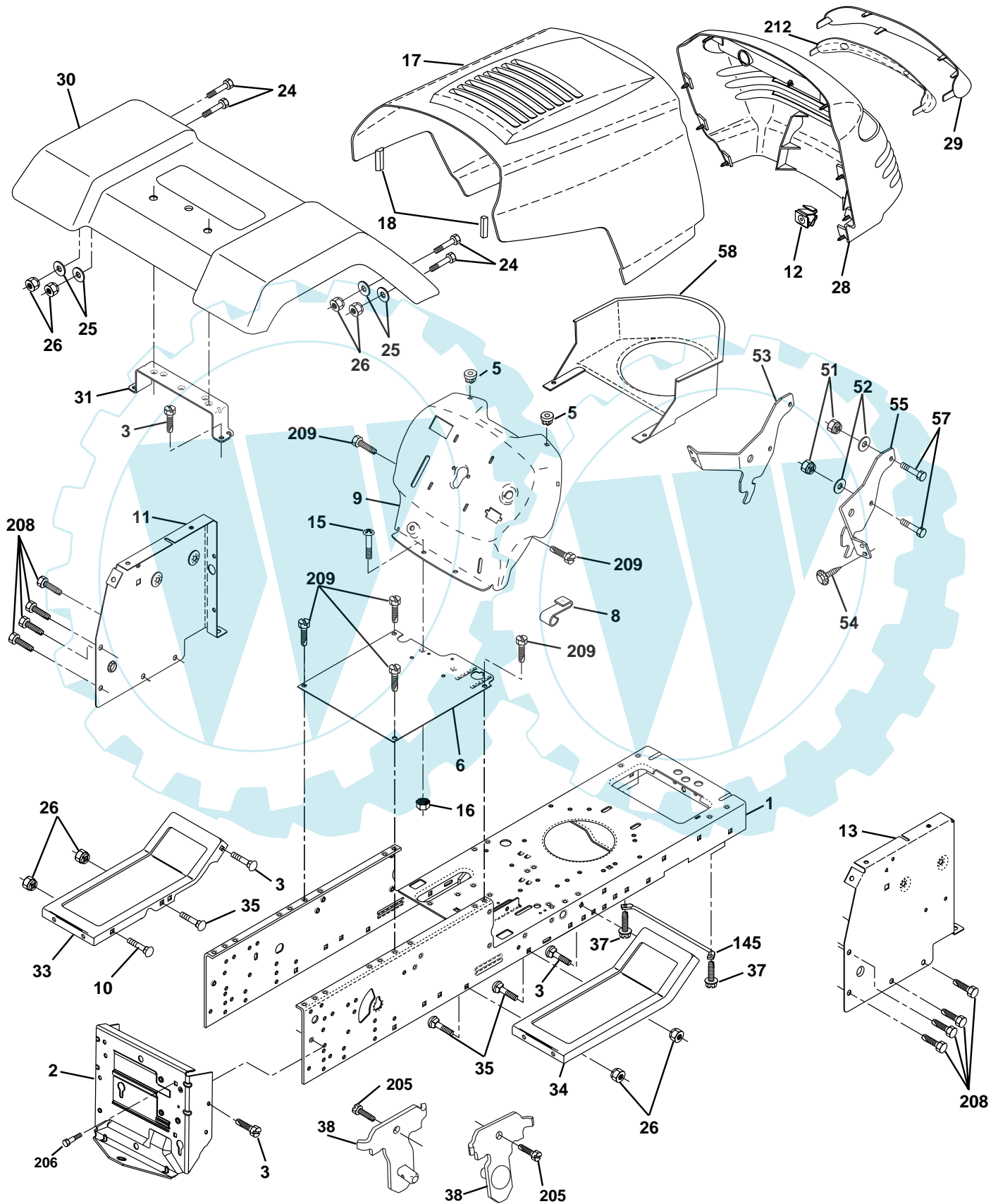
TRACTOR - - MODEL NO. RELTS1136C, PRODUCT NO. 954 56 74-44
ELECTRICAL

KEY NO.	PART NO.	DESCRIPTION
1	532 16 34-65	Battery 12 Volt 25 AMP
2	874 76 04-12	Bolt Hex Hd 1/4-20unc X 3/4
8	532 17 66-89	Box Battery
16	532 17 61-38	Switch Interlock Push-In
24	532 00 47-99	Cable Battery
25	532 14 61-47	Cable Battery 6 Ga 44" red
26	532 17 51-58	Fuse 20 AMP
27	873 51 04-00	Nut Keps Hex 1/4-20 Unc
28	532 00 42-07	Cable Ground 6 Ga 12" black
29	532 12 13-05	Switch Plunger Nc Gray
30	532 17 55-67	Switch Ign
33	532 14 04-01	Key Ign
40	532 17 97-30	Harness Ignition
41	871 11 04-08	Bolt Blk Fin Hex 1/4 - 20 x 1/2
42	532 13 15-63	Cover Terminal Red
43	532 17 88-61	Solenoid
48	532 14 08-44	Adapter Ammeter
52	532 14 19-40	Protection Wire Loop
90	532 18 04-49	Cover Terminal

NOTE: All component dimensions give in U.S. inches
1 inch = 25.4 mm.

REPAIR PARTS

TRACTOR - - MODEL NO. RELTS1136C, PRODUCT NO. 954 56 74-44
CHASSIS AND ENCLOSURES



REPAIR PARTS

TRACTOR - - MODEL NO. RELTS1136C, PRODUCT NO. 954 56 74-44 CHASSIS AND ENCLOSURES

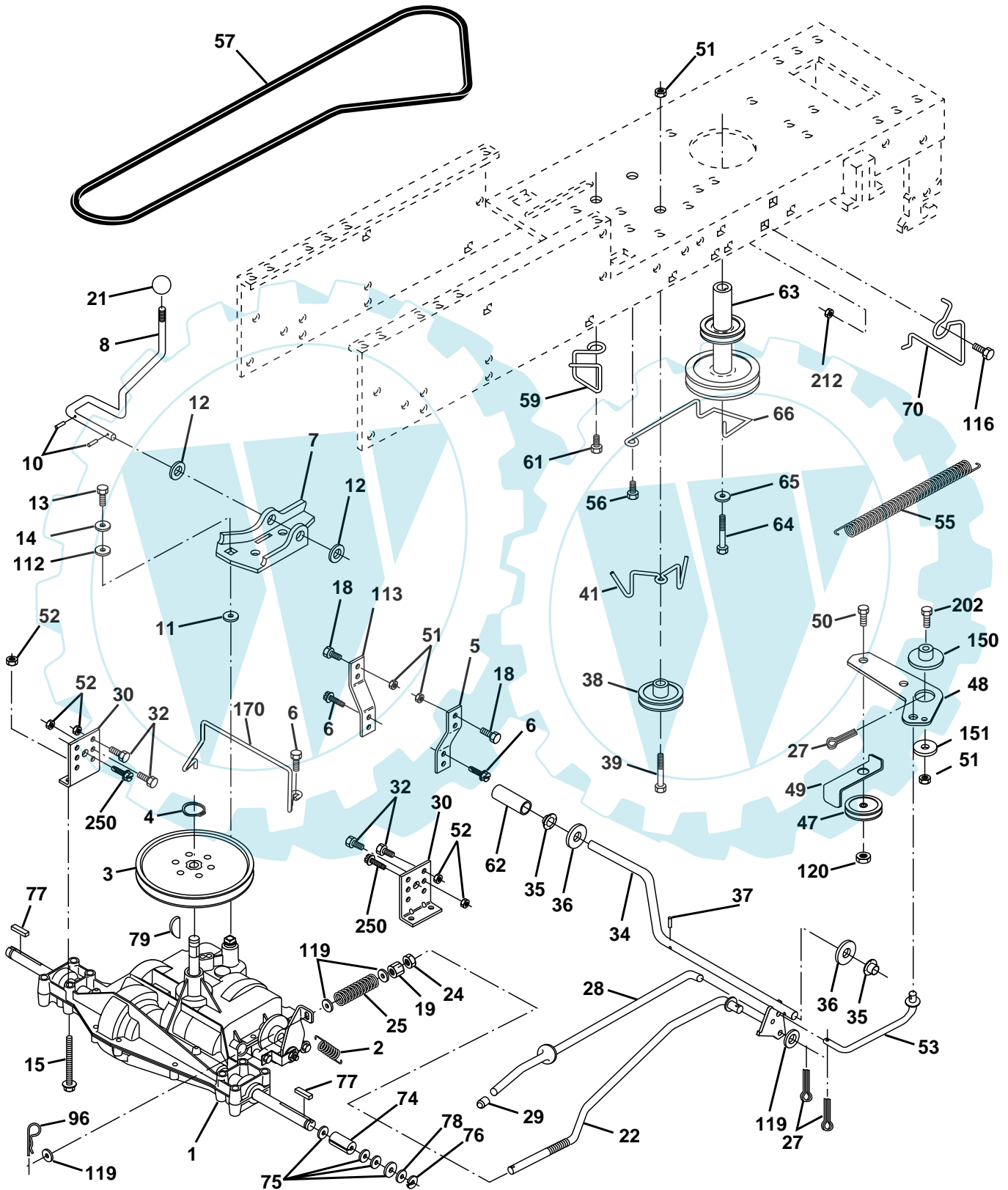
KEY NO.	PART NO.	DESCRIPTION
1	532 17 46-20	Chassis
2	532 17 65-54	Drawbar
3	817 06 06-12	Screw, 3/8-16 x 3/4 SMGML Tap/R
5	532 15 52-72	Bumper Hood/Dash
6	532 18 12-71	Saddle Flat
8	532 15 51-38	Clip Retainer Slide-On
9	532 17 22-43	Dash P/L
10	872 14 06-08	Bolt, Rdhd Sqnk 3/8-16 x 1
11	532 17 49-96	Panel Asm.Dash LH
12	532 14 56-60	Clip Tinnerman Grille P/L
13	532 18 17-19	Dash, Panel RH
15	874 18 05-12	Screw Mach.Trhd 5/16-18 UNC x 3/4
16	873 51 05-00	Nut Keps 5/16-18 UNC
17	532 16 35-57	Hood Pnt Stl PL
18	532 12 69-38	Bumper Hood
24	874 78 06-16	Bolt, Hex , Fin. 3/8-16UNC x 1 Gr. 5
25	819 13 13-12	Washer 13/32 x 13/16 x 12 Gauge
26	873 80 06-00	Nut Lock Hex w/Ins. 3/8-16 Unc
28	532 17 97-80	Grille
29	532 18 25-36	Lens Grille
30	532 18 25-35	Fender Pnt
31	532 13 66-19	Bracket Fender
33	532 18 11-93	Footrest Pnt., LH
34	532 18 11-94	Footrest Pnt., RH
35	872 11 06-06	Bolt Rdhd Sht. Sqnk 3/8-16 X 3/4
37	817 49 05-08	Screw Thdrol 5/16-18 x 1/2 Tyt
38	532 17 57-10	Bracket Asm Pivot Mower Rear
51	873 80 04-00	Nut Lock Hex W/Ins 1/4-20
52	819 09 14-16	Washer 9/32 x 7/8 x 16 Ga.
53	532 14 46-97	Bracket, Grille LH
54	532 16 14-64	Screw Hex WSHD 8-18 x 7/8
55	532 14 46-96	Bracket Grille RH
57	874 78 04-12	Bolt Fin Hex 1/4-20 x 3/4
58	532 15 01-27	Duct Air Engine
145	532 15 65-24	Rod Pivot Chassis/Hood
205	817 49 06-08	Screw Thdrol 3/8-16 x 1/2
206	532 17 01-65	Bolt Shoulder 5/16-18
208	817 67 06-08	Screw Thdrol 3/8-16 x 1/2
209	817 00 06-12	Screw Hex Wsh Thdrol 3/8-16 x 3/4
212	532 15 64-94	Insert Lens Reflect Quarda
--	532 00 54-79	Plug Btn Blk .359 Dia Ch/Inf

NOTE: All component dimensions given in U.S. inches
1 inch = 25.4 mm

REPAIR PARTS

TRACTOR - - MODEL NO. RELTS1136C, PRODUCT NO. 954 56 74-44

DRIVE



REPAIR PARTS

TRACTOR - - MODEL NO. RELTS1136C, PRODUCT NO. 954 56 74-44

DRIVE

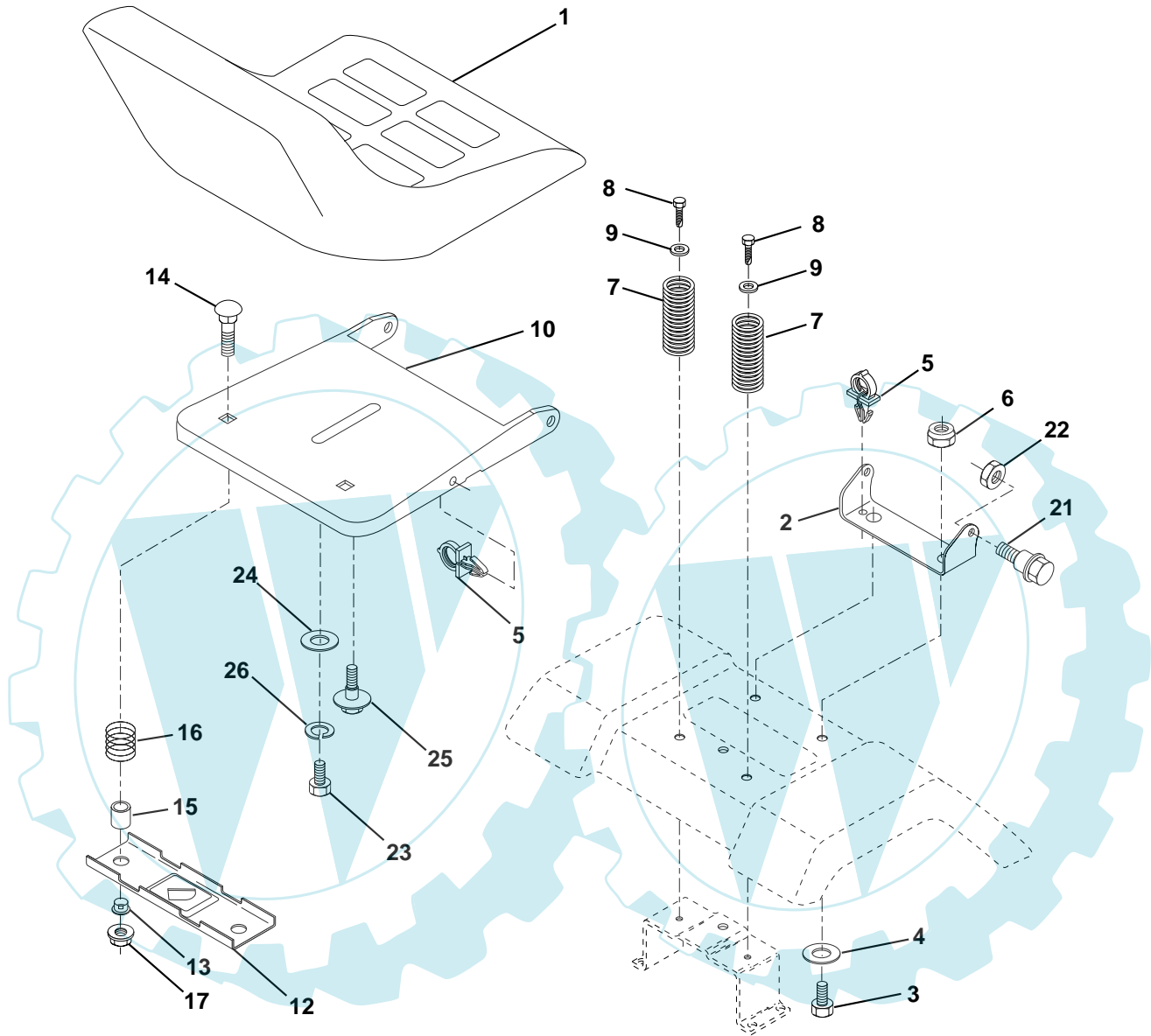
KEY NO.	PART NO.	DESCRIPTION	KEY NO.	PART NO.	DESCRIPTION
1	-----	Transaxle Peerless, Model 204-506B (Order parts from transaxle manufacturer)	50	874 76 06-24	Bolt, Hex 3/8-16 x 1-1/2
2	532 14 66-82	Spring, Brake Return	51	873 68 06-00	Nut, Crownlock 3/8-16
3	532 12 36-66	Pulley, Transaxle	52	873 68 05-00	Nut, Crownlock 5/16-18
4	812 00 00-28	Ring, Retainer	53	532 10 57-10	Link, Clutch
5	532 12 15-20	Strap, Torque	55	532 10 57-09	Spring, Return, Clutch
6	817 06 05-12	Screw, 5/16-18 x 3/4 SMGML	56	817 06 06-20	Screw 3/8-16 x 1-1/4
7	532 16 22-40	Bracket, T/A, Saddle Shift	57	532 13 08-01	V-Belt, Drive
8	532 13 16-79	Rod, Shifter	59	532 16 96-91	Keeper Belt Center Span
10	876 02 04-16	Pin, Cotter 1/8 x 1	61	817 12 06-14	Screw, 3/8-16 x .875
11	532 10 57-01	Washer, Shift Plate	62	532 00 81-56	Cover, Foot Pedal
12	819 15 12-16	Washer 15/32 x 3/4 x 16	63	532 18 02-19	Pulley, Engine
13	874 55 04-12	Bolt 1/4-28 UNF Gr. 8 w/Patch	64	871 17 07-64	Bolt, Hex 7/16-20 x 4 Gr. 5
14	810 04 04-00	Washer Lock	65	810 04 07-00	Washer, Lock Hvy Hlcl Spr 7/16
18	874 78 06-16	Bolt, Fin Hex 3/8-16 Unc x 1 Gr. 5	66	532 15 47-78	Keeper, Belt Engine F-Proof
19	873 80 06-00	Locknut 3/8-16	70	532 18 02-18	Guide Belt Mower Drive RH
21	532 10 69-33	Knob	74	532 13 70-57	Spacer, Split
22	532 13 08-04	Rod, Brake	75	532 12 17-49	Washer 25/32 x 1-1/4 x 16 Ga.
24	873 35 06-00	Nut, Hex Jam 3/8-16	76	812 00 00-01	E-Ring
25	532 10 68-88	Spring, Rod, Brake	77	532 12 35-83	Key Square
26	819 13 13-16	Washer 13/32 x 13/16 x 16 Gauge	78	532 12 17-48	Washer 25/32 x 1-5/8 x 16 Ga.
27	876 02 04-12	Pin, Cotter 1/8 x 3/4	79	532 00 22-28	Key Woodruff #9 3/16 x 3/4
28	532 17 57-65	Rod, Brake, Park	96	532 12 47-88	Retainer Spring 1" Ziinc/Cad
29	532 07 16-73	Cap, Plunger	112	819 09 12-10	Washer 9/32 x 3/4 x 10 Ga.
30	532 17 49-73	Bracket, Transaxle, L.H.	113	532 12 72-85	Strap Torque L.H. Lt
32	874 76 05-12	Bolt Hex Hd 5/16-18 UNC x 3/4	116	872 14 06-08	Bolt, RdHd Sq Neck 3/8-16 x 1
34	532 17 55-78	Shaft, Foot Pedal	120	873 90 06-00	Nut Lock Flg 3/8-16
35	532 12 01-83	Bearing Nylon	145	874 49 05-40	Bolt, Hex Flghd 5/16-18 Gr. 5
36	819 21 16-16	Washer 21/32 x 1 x 16 Gauge	150	532 17 54-56	Spacer Retainer
37	532 00 15-72	Pin, Roll 3/16 x 1	151	819 13 32-10	Washer 13/32 x 2 x 10 Ga.
38	532 17 91-14	Idler, Pulley Composite	170	532 17 83-94	Keeper, Belt, Transaxle GD.
39	874 76 06-48	Bolt, RDHD 3/8-16unc x 3 Gr. 5	202	872 11 06-14	Bolt Carr Sh 3/8-16 x 1-3/4 Gr. 5
41	532 17 55-56	Keeper, Belt	212	532 14 52-12	Nut Hex Flange Lock
47	532 12 77-83	Pulley, Idler	250	817 06 06-12	Screw 3/8-16 x .75
48	532 15 44-07	Bellcrank Asm Clutch			
49	532 12 32-05	Retainer, Belt			

NOTE: All component dimensions give in U.S. inches.
1 inch = 25.4 mm.

REPAIR PARTS

TRACTOR - - MODEL NO. RELTS1136C, PRODUCT NO. 954 56 74-44

SEAT



KEY NO.	PART NO.	DESCRIPTION
1	532 12 74-26	Seat
2	532 14 05-51	Bracket, Pivot, Seat
3	871 11 06-16	Fin Hex 3/8-16unc x 1
4	819 13 16-10	Washer 13/32 x 1 x 10 Ga.
5	532 14 50-06	Clip, Push-in
6	873 80 06-00	Nut
7	532 12 41-81	Spring, Seat
8	817 00 06-16	Screw, 3/8-16 x 1.5 SMGML Tap/R
9	819 13 16-14	Washer 13/32 x 1 x 14 Ga.
10	532 18 24-93	Pan, Seat
12	532 12 12-46	Bracket, Mounting, Switch, Seat
13	532 12 12-48	Bushing, Nylon

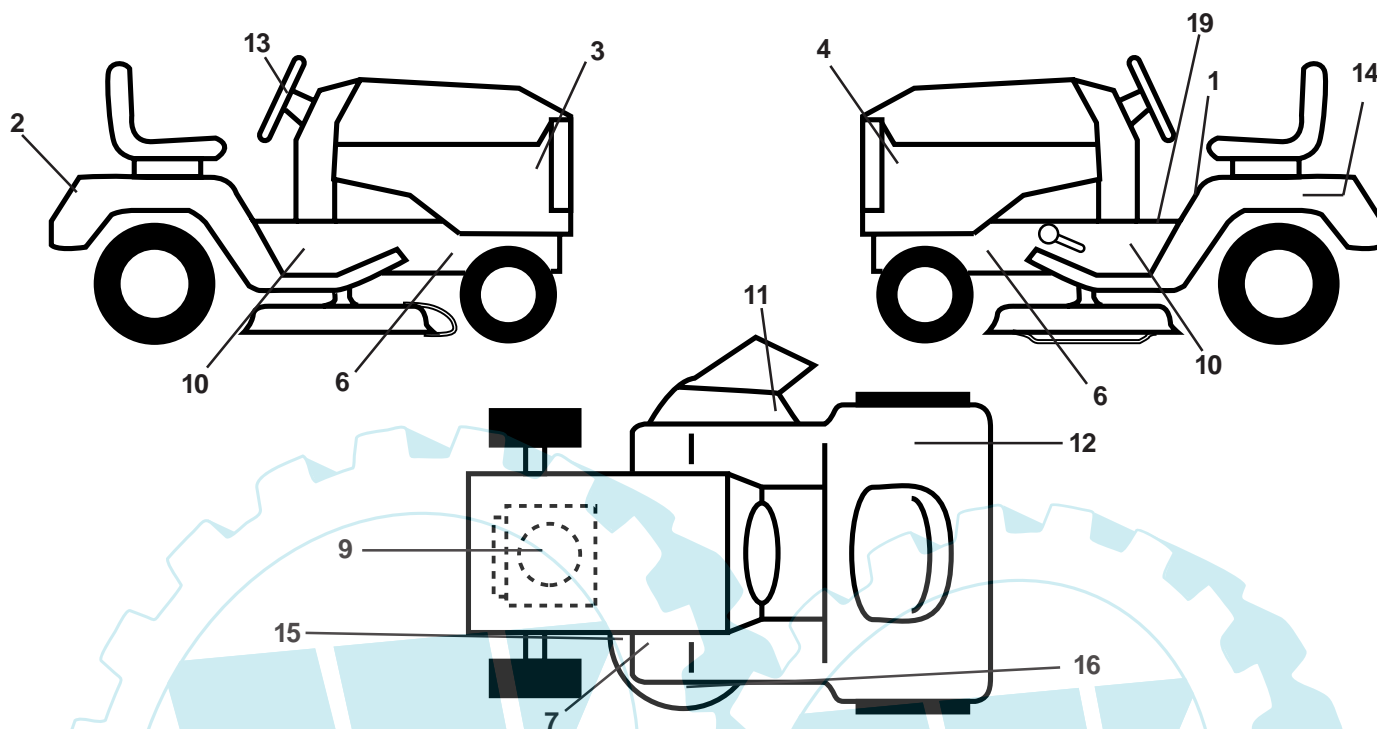
KEY NO.	PART NO.	DESCRIPTION
14	872 05 04-12	Nut, Crownlock 1/4-20 x 1-3/8
15	532 13 43-00	Spacer, Split
16	532 12 12-50	Spring
17	532 12 39-76	Nut, Lock, Flange 1/4 Gr. 5
21	532 17 18-52	Bolt, Shoulder 5/16-18 UNC-2A
22	873 80 05-00	Nut
23	871 11 08-14	Bolt Hex
24	819 17 19-12	Washer 17/32 x 1-3/16 x 12 Ga.
25	532 12 70-18	Bolt Shoulder 5/16-18 x .62
26	810 04 08-00	Washer Lock Hvy Hclc Spr 1/2

NOTE: All component dimensions given in U.S. inches
1 inch = 25.4 mm

REPAIR PARTS

TRACTOR - - MODEL NO. RELTS1136C, PRODUCT NO. 954 56 74-44

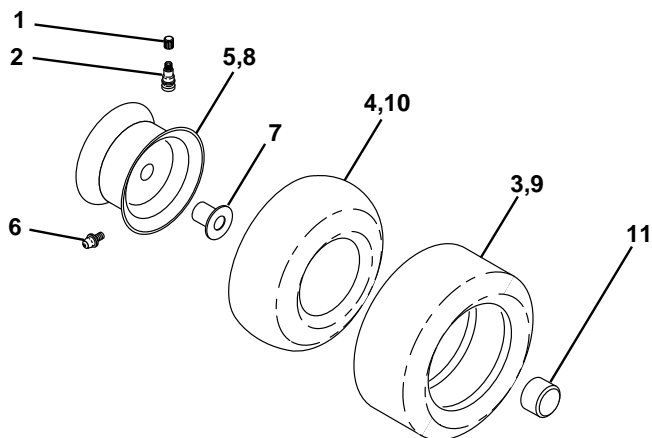
DECALS



KEY NO.	PART NO.	DESCRIPTION
1	532 14 54-98	Decal, Instruction, Operation
2	532 18 11-46	Decal, Fender
3	532 18 11-44	Decal, Hood R.H.
4	532 18 11-45	Decal Hood, L.H.
6	532 15 97-36	Decal, Chassis Hot Muffler
7	532 15 97-37	Decal, Brake/Clutch Symbol LT
9	532 18 16-50	Decal, HP Engine
10	532 18 11-92	Decal, Chassis
11	532 18 21-66	Decal, Mower Cuttingfnger Symbol
12	532 18 04-32	Decal 100 DB/CE
13	532 12 70-75	Decal, Wheel Steering

KEY NO.	PART NO.	DESCRIPTION
14	532 14 50-05	Decal, Btry Dngr/Psn P/L Sym
15	532 13 68-32	Decal, V-Belt
16	532 13 49-99	Decal, Deck
19	532 14 08-37	Decal, Parking Brake
--	532 13 83-11	Decal, Handle, Lift, Height Adjust (Lift Handle)
--	532 16 25-98	Decal, Drawbar Load Limit
--	532 18 14-36	Manual, (Euro) Operator's
--	532 18 14-37	Manual, Repair Parts

TIRES AND WHEELS

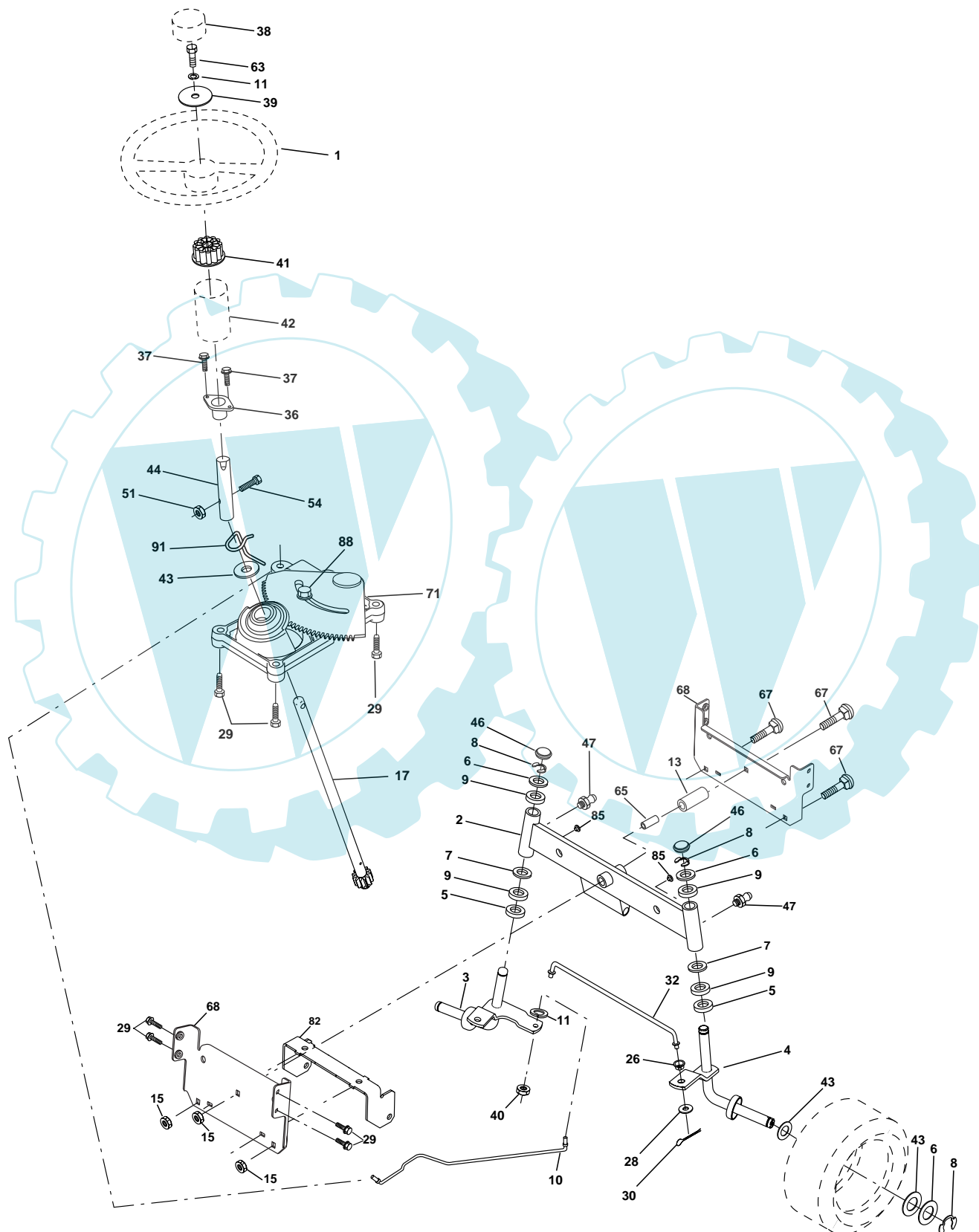


KEY NO.	PART NO.	DESCRIPTION
1	532 05 91-92	Cap, Valve
2	532 06 51-39	Stem, Valve
3	532 12 41-57	Tire Front
4	532 05 99-04	Tube, Front (not furnished)
5	532 14 14-46	Rim, Asm. Front
6	532 12 49-57	Grease Fitting (rear tire only)
7	532 00 90-40	Bearing, Flange (front tire only)
8	532 14 14-47	Rim, Asm. Rear
9	532 12 39-69	Tire, Rear
10	532 12 49-26	Tube, Rear (not furnished)
11	532 17 50-39	Cap, Axle
--	532 14 43-34	Sealant, Tire (10 oz. Tube)

NOTE: All component dimensions given in U.S. inches
1 inch = 25.4 mm

REPAIR PARTS

TRACTOR - - MODEL NO. RELTS1136C, PRODUCT NO. 954 56 74-44
STEERING WHEEL



REPAIR PARTS

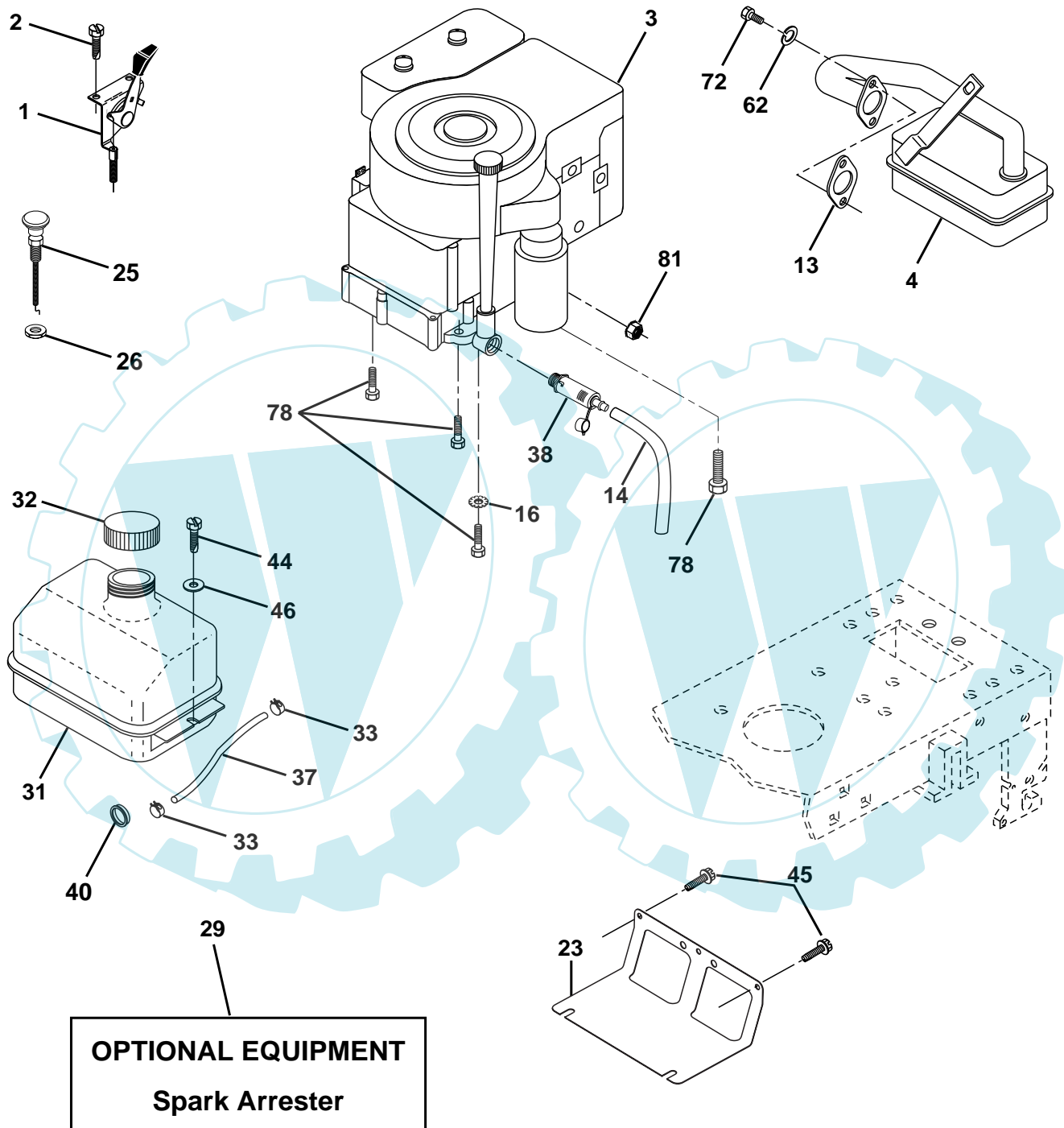
TRACTOR - - MODEL NO. RELTS1136C, PRODUCT NO. 954 56 74-44
STEERING WHEEL

KEY NO.	PART NO.	DESCRIPTION
1	532 17 71-82	Wheel Steering
2	532 17 51-31	Axle Asm Front
3	532 16 98-40	Spindle Asm LH
4	532 16 98-39	Spindle Asm RH
5	532 12 49-31	Bearing, Race, Thrust Hardened
6	532 12 17-48	Washer 25/32 X 1-5/8 X 16 Ga
7	819 27 20-16	Washer 27/32 X 1-1/4 X 16 Ga
8	812 00 00-29	Ring Klip
9	532 12 49-37	Bearing
10	532 17 51-21	Link Drag
11	810 04 06-00	Washer Lock Hvy Hlcl Spr 3/8
13	532 13 65-18	Spacer Brg. Axle Front
15	532 14 52-12	Nut Hexflange Lock
17	532 17 78-76	Shaft Asm
26	532 12 68-47	Bushing Link Drag Blk Lr
28	819 13 14-16	Washer 13/32 x 7/8 x 16 Ga.
29	817 06 06-12	Screw 3/8-16x3/4 SMGML Tap/R
30	876 02 04-12	Pin Cotter 1/8 x 3/4 CAD
32	532 13 04-65	Rod Connecting
36	532 15 50-99	Bushing Steering
37	532 15 29-27	Screw TT #10-32 X 5 x 3/8 Flange
38	532 17 71-83	Cap Wheel Steering
39	819 13 38-12	Washer 13/32 x 2-3/8 x 12 Ga
40	532 12 47-01	Nut Lock Center 3/8-24 Unf
41	532 10 07-11	Adapter Wheel Strg
42	532 16 96-33	Boot Steering
43	532 12 17-49	Washer 25/32 X 1 1/4 X 16 Ga
44	532 15 37-20	Extension Steering
46	532 12 12-32	Cap Spindle
47	532 12 48-36	Fitting Grease
51	873 80 05-00	Nut Lock Hex W/Ins. 5/16-18 Unc P
54	874 78 05-20	Bolt Fin Hex 5/16-18 Unc 6 x 1-1/4
63	874 78 06-16	Bolt Fin Hex 3/8-16unc x 1 Gr. 5
65	532 16 03-67	Spacer Brace Axle
67	872 14 06-18	Bolt RDHD SQ 3/8-16UNC x 2-1/4
68	532 16 98-27	Brace Axle
71	532 17 51-46	Steering Asm
82	532 16 98-35	Bracket Susp. Chassis Front
85	532 13 38-35	Fastener Christmas Tree
88	532 17 51-18	Bolt Shoulder 7/16-20unc
91	532 17 55-53	Clip Steering

NOTE: All component dimensions given in U.S. inches
1 inch = 25.4 mm

REPAIR PARTS

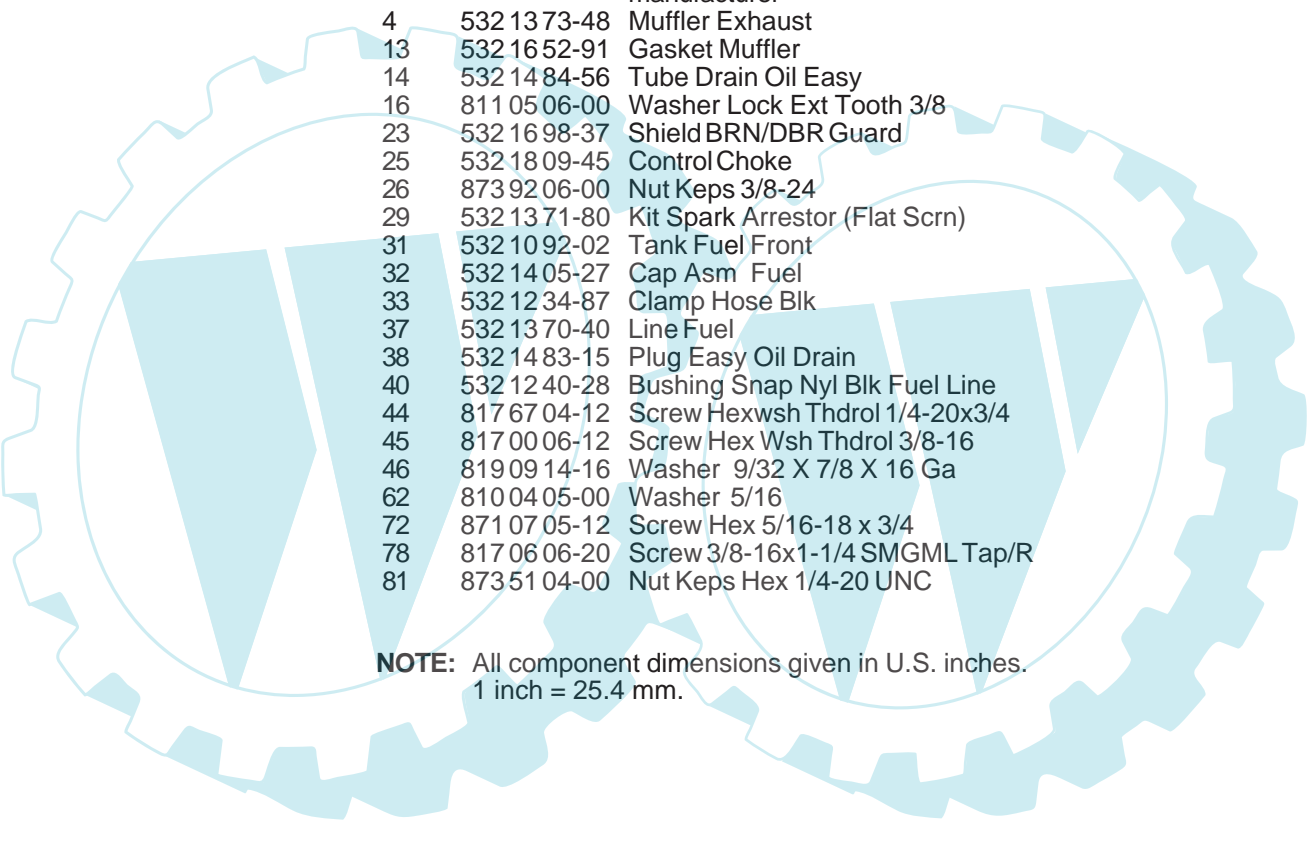
TRACTOR - - MODEL NO. RELTS1136C, PRODUCT NO. 954 56 74-44
ENGINE



REPAIR PARTS

TRACTOR - - MODEL NO. RELTS1136C, PRODUCT NO. 954 56 74-44

ENGINE

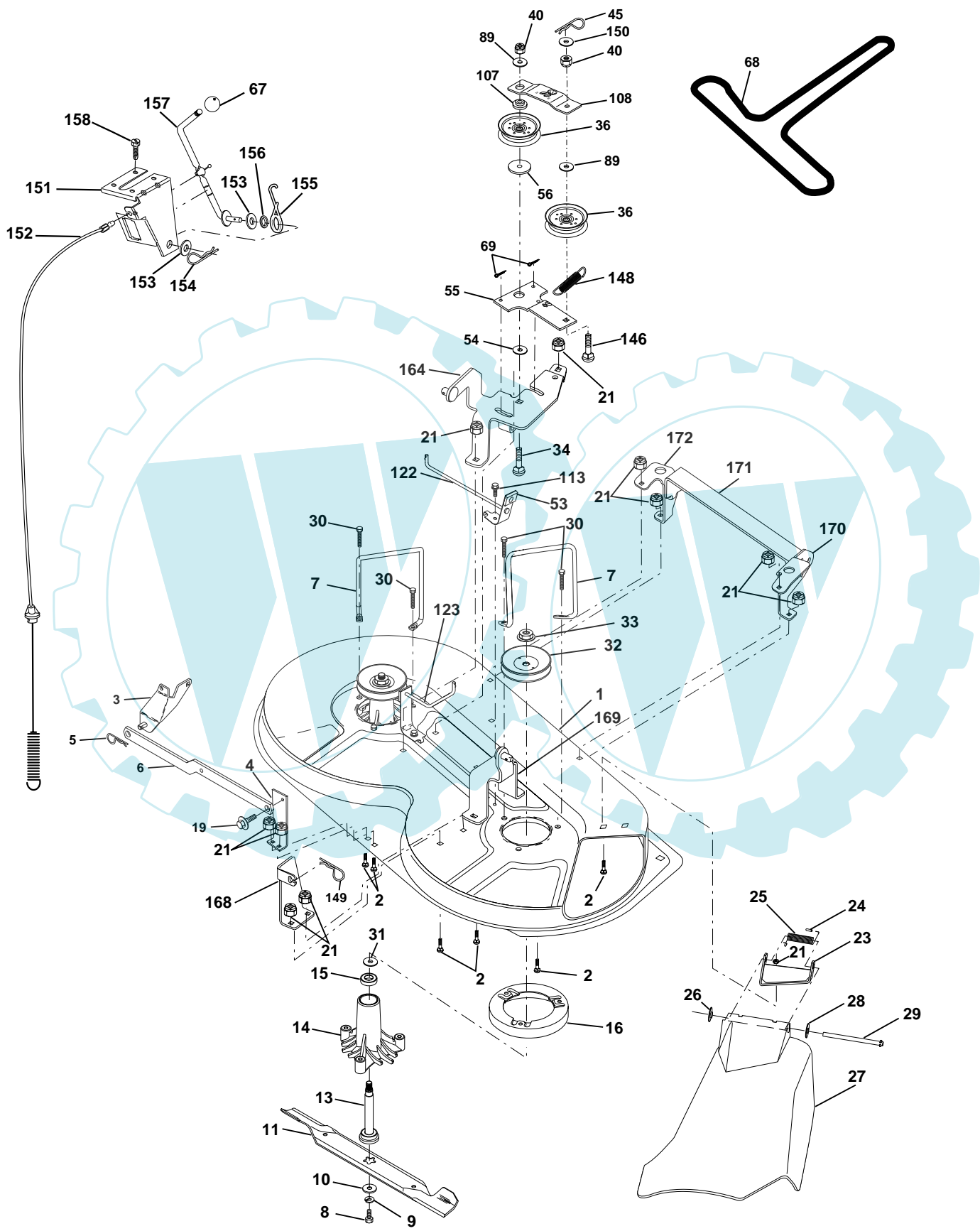


KEY NO.	PART NO.	DESCRIPTION
1	532 17 05-51	Control Th/ch
2	817 72 04-08	Screw Hex Thd Cut 1/4-20 x 1/2
3	-----	Engine, B&S Model 289707 Order parts from engine manufacturer
4	532 13 73-48	Muffler Exhaust
13	532 16 52-91	Gasket Muffler
14	532 14 84-56	Tube Drain Oil Easy
16	811 05 06-00	Washer Lock Ext Tooth 3/8
23	532 16 98-37	Shield BRN/DBR Guard
25	532 18 09-45	Control Choke
26	873 92 06-00	Nut Keps 3/8-24
29	532 13 71-80	Kit Spark Arrestor (Flat Scrn)
31	532 10 92-02	Tank Fuel Front
32	532 14 05-27	Cap Asm Fuel
33	532 12 34-87	Clamp Hose Blk
37	532 13 70-40	Line Fuel
38	532 14 83-15	Plug Easy Oil Drain
40	532 12 40-28	Bushing Snap Nyl Blk Fuel Line
44	817 67 04-12	Screw Hexwsh Thdrol 1/4-20x3/4
45	817 00 06-12	Screw Hex Wsh Thdrol 3/8-16
46	819 09 14-16	Washer 9/32 X 7/8 X 16 Ga
62	810 04 05-00	Washer 5/16
72	871 07 05-12	Screw Hex 5/16-18 x 3/4
78	817 06 06-20	Screw 3/8-16x1-1/4 SMGML Tap/R
81	873 51 04-00	Nut Keps Hex 1/4-20 UNC

NOTE: All component dimensions given in U.S. inches.
1 inch = 25.4 mm.

REPAIR PARTS

TRACTOR - - MODEL NO. RELTS1136C, PRODUCT NO. 954 56 74-44
MOWER DECK



REPAIR PARTS

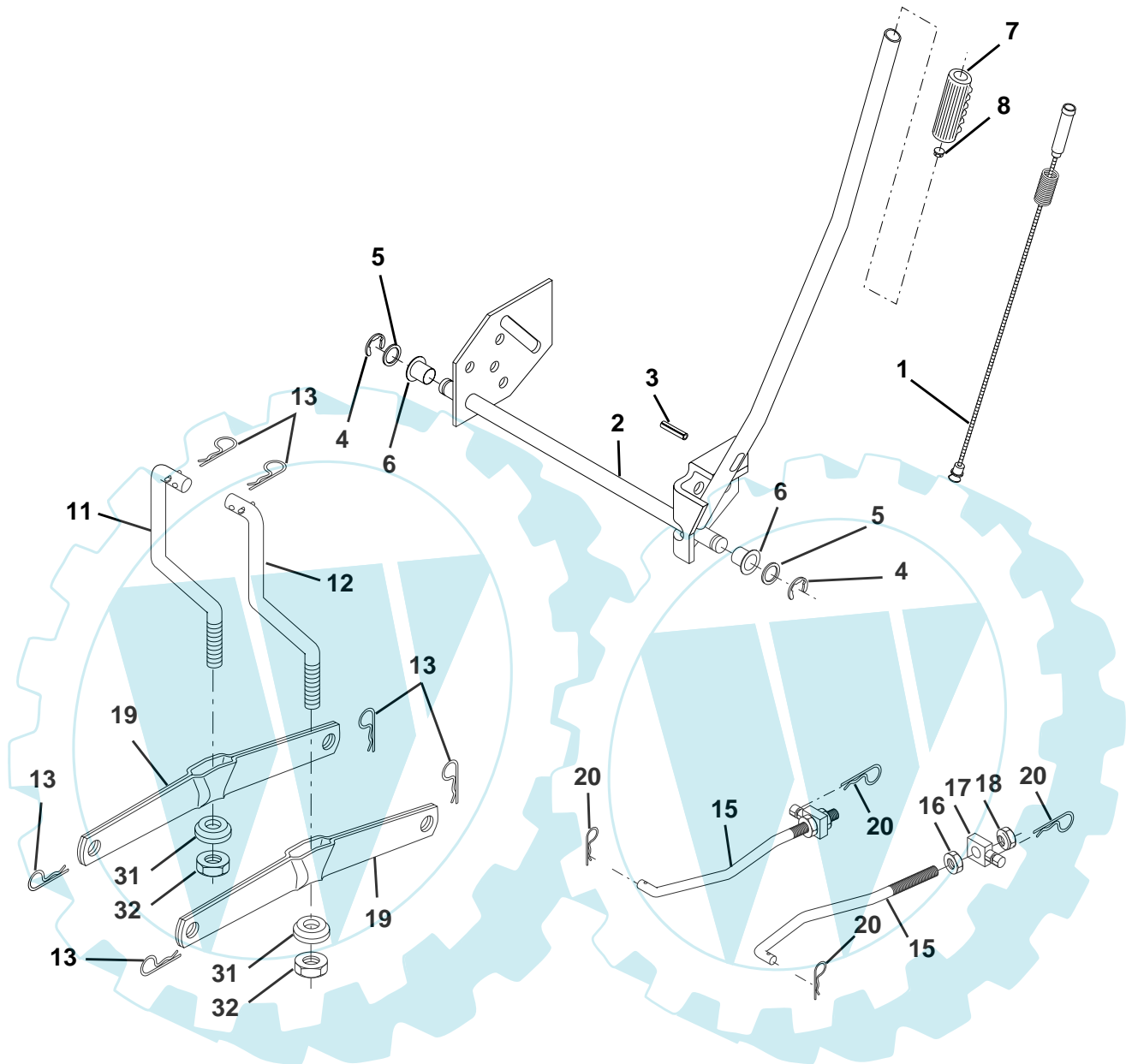
TRACTOR - - MODEL NO. RELTS1136C, PRODUCT NO. 954 56 74-44 MOWER DECK

KEY NO.	PART NO.	DESCRIPTION	KEY NO.	PART NO.	DESCRIPTION
1	532 17 45-95	Deck Asm Weldment	67	532 10 69-32	Knob Rd 3/8-16 Plstc Thds Blk
2	872 14 05-06	Bolt	68	532 18 02-13	V-Belt, Mower
3	532 13 80-17	Asm., Bar, Anti-Sway	89	819 13 16-12	Washer 13/32 x 1 x 12 Ga.
4	532 17 56-54	Bracket Sway Bar 36"	107	532 13 35-02	Spacer, Retainer
5	532 12 46-70	Spring, Retainer	108	532 13 35-03	Stiffener, Idler Arm
6	532 17 80-24	Bar Sway Deck	113	817 49 05-08	Screw Thdrol 5/16-18 x 1/2
7	532 14 06-08	Keeper Belt Lh	122	532 17 45-05	Rod, Brake, LH
8	532 85 08-57	Bolt 3/8-24 x 1.25 Gr. 8	123	532 17 45-04	Rod, Brake, RH
9	810 03 06-00	Washer, Lock	146	532 16 58-91	Bolt Carriage Idler
10	532 14 02-96	Washer, Hardened	148	532 16 90-22	Spring Return Idler
11	532 13 84-96	Blade, Mower, Hi Lift	149	532 16 58-98	Retainer Spring Yelow Zinc
13	532 13 76-45	Asm., Shaft, Mandrel, Vented	150	819 09 12-16	Washer 9/32 x 3/4 x 16 Ga.
14	532 12 87-74	Housing, Mandrel, Vented	151	532 16 96-70	Bracket Clutch Cable
15	532 11 04-85	Bearing, Ball, Mandrel	152	532 17 60-79	Clutch Cable 38"/42"
16	532 17 44-93	Stripper, Mower	153	532 16 96-74	Washer Flat 3/8" Type B
19	532 13 28-27	Bolt, Shoulder	154	532 16 96-75	Spring Retainer
21	873 68 05-00	Nut, Crownlock 5/16 - 18 UNC	155	532 16 96-71	Spring Retention Lvr Cltch Cab
23	532 13 66-31	Bracket, Deflector	156	532 16 96-72	Spacer Clutch Cable 3/8"
24	532 10 53-04	Cap, Sleeve	157	532 16 96-69	Rod Clutch Cable 3/8"
25	532 12 37-13	Spring, Torsion, Deflector	158	817 72 04-08	Screw Hex Thd Cut 1/4-20 x 1/2
26	532 11 04-52	Washer, Lock	164	532 17 49-76	Bracket Asm Support Susp 36"
27	532 17 50-29	Deflector, Shield	168	532 17 23-77	Bracket Deck Cable 36"
28	819 11 10-16	Washer 11/32 x 5/8 x 16 Ga.	169	532 17 49-77	Bracket Asm Suspension
29	532 12 19-80	Rod, Hinge	170	532 17 23-59	Bracket Suspension RF
30	532 17 39-84	Screw Hex Thdrol	171	532 16 52-37	Brace Support Susp Frt
31	532 12 99-63	Washer, Spacer	172	532 17 23-55	Brace Suspension LF
32	532 15 35-31	Pulley, Mandrel	--	532 13 07-94	Mandrel Asm Service (Includes Housing, Shaft and Shaft Hardware Only-Pulley Not Included)
33	532 17 83-42	Nut Flange Top Lock	--	532 18 13-76	Replacement Mower, Complete
34	872 11 06-14	Bolt Rdhd 3/8-16 x 1-3/4			
36	532 13 14-94	Pulley, Idler, Flat			
40	873 68 06-00	Nut, Crownlock 3/8 - 16 UNC			
45	532 12 47-88	Retainer Spring 1: Zinc/Cad			
53	532 13 08-40	Brake Assembly			
54	532 13 39-43	Washer, Hardened			
55	532 13 38-40	Arm, Idler Assembly			
56	532 16 57-23	Spacer, Retainer			

NOTE: All component dimensions given in U.S. inches
1 inch = 25.4 mm

REPAIR PARTS

TRACTOR - - MODEL NO. RELTS1136C, PRODUCT NO. 954 56 74-44
MOWER LIFT



KEY NO.	PART NO.	DESCRIPTION
1	532 15 94-60	Wire Asm. Inner/Sprg w/Plunger
2	532 15 94-71	Shaft, Asm., Lift R/H
3	532 10 57-67	Pin, Groove
4	812 00 00-02	Ring, E #5133-62
5	819 21 16-21	Washer 21/32 x 1 x 21 Ga.
6	532 12 01-83	Bearing, Nylon
7	532 10 94-13	Grip Handle Bicycle Matte Blk
8	532 12 45-26	Button, Plunger
11	532 13 98-65	Link, Lift, Lh
12	532 13 98-66	Link, Lift, Rh
13	532 12 46-70	Spring, Retainer

KEY NO.	PART NO.	DESCRIPTION
15	532 17 32-88	Link, Front
16	873 35 08-00	Nut, Jam, Hex 1/2-13 Unc
17	532 17 56-89	Trunnion
18	873 80 08-00	Nut, Lock w/Wsh 1/2-13 Unc
19	532 13 98-68	Arm, Suspension, Rear
20	532 16 35-52	Spring, Retainer Zinc
31	532 16 98-65	Bearing, Pvt Lft
32	873 54 06-00	Nut Crownlock 3/8-24

NOTE: All component dimensions given in U.S. inches
1 inch = 25.4 mm



TECUMSEH

SERVICE POLICY WARRANTY



TECUMSEH

Issued January 1980
Revised January 1991

LIMITED WARRANTIES FOR NEW PEERLESS GEAR POWER TRAIN COMPONENTS

A. Products Warranted

Peerless Gear and Machine Division of Tecumseh Products Company ("Tecumseh"), subject to the limitations contained below, will, at its option, repair or replace, without charge for parts or labor only, any part of a new Power Train Component (which as used herein means and includes the transaxle, gear box, transmission, differential and right angle drives, and any part of the Power Train Component), EXCEPT any new Power Train Component incorporated in equipment used for commercial or rental purposes, which is found upon examination by any Tecumseh Authorized Service Outlet or by Tecumseh's factory in Grafton, Wisconsin, to be DEFECTIVE IN MATERIAL AND/OR WORKMANSHIP if received by Tecumseh or a Tecumseh Authorized Service Outlet for such examination within TWO YEARS from the date of sale to the original consumer purchaser of Peerless Series 820, 900, 910, 915, 920, 930 transaxles and Series 1100 angle drive and ONE YEAR for all other Peerless products. New Power Train Components incorporated in equipment used for commercial purposes are warranted in the same manner and to the same extent EXCEPT such Power Train Components are warranted for NINETY (90) DAYS ONLY, and must be received by Tecumseh or by a Tecumseh Authorized Service Outlet for such examination within 90 days from the date of sale to the original purchaser. New Power Train Components Incorporated in equipment used for rental purposes are warranted in the same manner and to the same extent EXCEPT such Power Train Components are warranted for THIRTY (30) DAYS ONLY, and must be received by Tecumseh or a Tecumseh Authorized Service Outlet within 30 days from the date of sale to the original purchaser.

B. Products And Items Not Warranted

1. Alterations or Modifications of Power Train Components.
2. Accidents, Normal Maintenance, Failure to follow the Original Equipment Manufacturer's Manual.

This warranty covers only parts of new Power Train Components which are found upon examination to be defective in material or workmanship as delivered to the original purchaser. This warranty does not cover defects caused by depreciation or damage caused by normal wear, accidents, improper maintenance, improper use or abuse of the product, failure to follow the instructions contained in an Instruction Manual for the operation of the Power Train Component and parts. The cost of normal maintenance and replacement of service items which are not defective shall be paid for by the original purchaser.

C. Securing Warranty Service

Warranty service can be arranged for by contacting either a Tecumseh Authorized Service Outlet (any Tecumseh Registered Service Dealer, Tecumseh Authorized Service Distributor, or Tecumseh Central Warehouse Distributor) or by contacting Tecumseh, c/o Service Manager, Engine and Transmission Group Service Division, 900 North Street, Grafton, Wisconsin 53024. Warranty service can only be performed by a Tecumseh Authorized Service Outlet or by Tecumseh at its factory in Grafton, Wisconsin. At the time of requesting warranty service, evidence must be presented of the date of sale to the original purchaser. The purchaser shall pay any charges for making service calls and/or for transporting the product to and from the place where the inspection and/or warranty work is performed. The purchaser shall be responsible for any damage or loss incurred in connection with the transportation of Power Train Components and/or part(s) of the Power Train Components submitted for inspection and/or warranty work.

D. Limitation of Damages and Implied Warranties

The foregoing EXPRESSED WARRANTY IS IN LIEU OF ALL OTHER EXPRESS WARRANTIES. Neither Tecumseh nor any of its affiliates makes any warranties, representations or promises, written or oral, as to the quality of the Power Train Component or any of its parts, other than as set forth herein.

ANY IMPLIED WARRANTY OF MERCHANTABILITY OR FITNESS FOR A PARTICULAR PURPOSE, TO THE EXTENT THAT EITHER MAY APPLY TO ANY PART(S) OF POWER TRAIN COMPONENTS, SHALL BE LIMITED IN DURATION TO THE PERIODS OF THE EXPRESSED WARRANTIES DEFINED IN PARAGRAPH A HEREOF. IN NO EVENT WILL TECUMSEH BE LIABLE FOR ANY INCIDENTAL, CONSEQUENTIAL OR SPECIAL DAMAGES AND/OR EXPENSES. Some states do not allow limitations on how long an implied warranty lasts or the exclusion or limitation of incidental or consequential damages, so the above limitation(s) or exclusion(s) may not apply to you. This warranty gives you specific legal rights and you may also have other legal rights which vary from state to state.

E. No Dealer Warranty

Tecumseh neither assumes nor authorizes any other person, natural or corporate, to assume for Tecumseh any other obligations or liabilities in connection with or with respect to any part(s) of a Power Train Component. The seller or dealer of part(s) of a Power Train Component has no authority, whatsoever, to make any representations or promises on behalf of Tecumseh or to modify the terms or limitations of Tecumseh's warranty in any way.



Rally

Ihr Ersatzteilspezialist im Internet